

Rittal – The System.

Faster – better – everywhere.

Digital Brochure

ENCLOSURES

POWER DISTRIBUTION

CLIMATE CONTROL

IT INFRASTRUCTURE

SOFTWARE & SERVICES



Rittal – The System.

Faster – better – everywhere.



RiLine

Busbar systems 3-pole and DC

Holder + busbars + contact hazard protection

- Flat copper busbar system, see page 198
- PLS busbar system, see page 200
- Accessories, see page 217

Connection systems 3-pole

- Connection adapters, see page 202
- Terminals, see page 223
- Connection block, see page 224
- Accessories, see page 223

Component adapters 3-pole

- OM adapters, see page 204
- Circuit-breaker component adapters, see page 208
- Accessories, see page 225

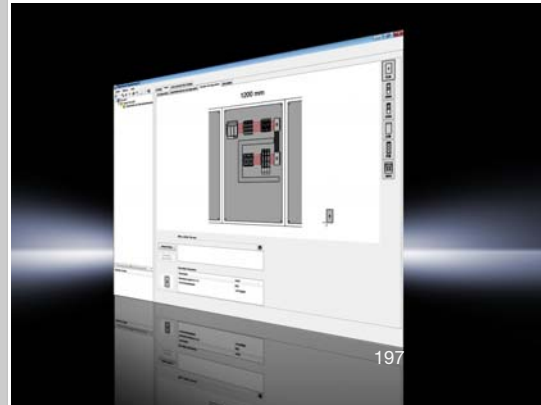
Fuse elements 3-pole

- NH fuse-switch disconnectors, see page 213
- Fuse holders, see page 215
- Accessories, see page 228

Rittal Power Engineering with update function

Model No. 3020.500,
see page 231

- Configuration of RiLine busbar systems
- Simple component selection, integrated switchgear database
- Automatic calculation of rated currents and power dissipation



RiLine Busbar Systems 800 A/1600 A (60 mm)



Connection systems Page 202 **OM adapters** Page 204 **Fuse elements** Page 213

Material:

- Polyamide (PA 6.6)
- Fire behavior corresponding to UL 94-V0

Color:

- RAL 7035




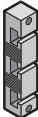
Note:

- UL approval only applies in conjunction with AC applications
- The use of a base tray is required for UL applications

Technical details:





Available on the Internet

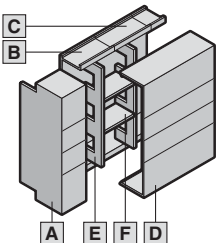
PLS busbar system

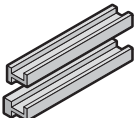
| Busbar supports | |  |  |  |  |
|---|----------|--|---|---|---|
| For Rittal system | Packs of | PLS 800 | | PLS 1600 | |
| Number of poles | | 3-pole | 3-pole | 3-pole | 3-pole |
| Busbar center distance mm | | 60 | 60 | 60 | 60 |
| With internal attachment | | ■ | ■ | ■ | ■ |
| Busbar support, suitable for top mounting | | ■ | ■ | ■ | ■ |
| Rated operating voltage V, ~ | | 1000, 3~ | 1000, 3~ | 1000, 3~ | 1000, 3~ |
| | | - | 1500 (DC) | - | 1500 (DC) |
| Approvals | | - | UL | - | UL |
| Model No. | 4 pc(s). | 9341.000 | 9341.050 | 9342.000 | 9342.050 |


RiLine Busbar Systems 800 A/1600 A (60 mm)

PLS busbar system

| Busbar supports | | | | | | |
|---------------------------|----------|----------------|---|---|---|---|
| | | |  |  |  |  |
| For Rittal system | Packs of | PLS 800 | | PLS 1600 | | Page |
| Number of poles | | 3-pole | 3-pole | 3-pole | 3-pole | |
| Busbar center distance mm | | 60 | 60 | 60 | 60 | |
| Model No. | 4 pc(s). | 9341.000 | 9341.050 | 9342.000 | 9342.050 | 200 |

| Contact hazard protection | | | | | | | | | |
|---|----------------------------|--------------------|-----------|----------|-----------------|-----------------|-----------------|-----------------|------|
|  | Components | Length inches (mm) | Approvals | Packs of | Model No. | | Model No. | | Page |
| | A End covers | – | UL | 2 pc(s). | 9341.070 | 9341.070 | 9342.070 | 9342.070 | – |
| | B Base trays | 20 (500) | UL | 2 pc(s). | 9341.100 | 9341.100 | 9342.100 | 9342.100 | 222 |
| | | 28 (700) | UL | 2 pc(s). | 9341.110 | 9341.110 | 9342.110 | 9342.110 | 222 |
| | | 35 (900) | UL | 2 pc(s). | 9341.120 | 9341.120 | 9342.120 | 9342.120 | 222 |
| | | 43 (1100) | UL | 2 pc(s). | 9341.130 | 9341.130 | 9342.130 | 9342.130 | 222 |
| | | 94 (2400) | UL | 1 pc(s). | 9341.170 | 9341.170 | 9342.170 | 9342.170 | 222 |
| | C Base tray infills | 4 (100) | UL | 2 pc(s). | 9341.140 | 9341.140 | 9342.140 | 9342.140 | 222 |
| | D Cover sections | 28 (700) | UL | 2 pc(s). | 9340.200 | 9340.200 | 9340.200 | 9340.200 | 222 |
| | | 43 (1100) | UL | 2 pc(s). | 9340.210 | 9340.210 | 9340.210 | 9340.210 | 222 |
| E Support panels | – | UL | 5 pc(s). | 9340.220 | 9340.220 | 9340.220 | 9340.220 | 222 | |
| F Cross members | 6 (160) | UL | 2 pc(s). | – | 9340.230 | – | 9340.230 | 222 | |

| PLS special busbars E-Cu | | | | | | | | |
|--|-----------------------------------|---------------------------------|-----------|----------------|-----------|-----------------|-----------|-----|
|  | Version | | Packs of | PLS 800 | | PLS 1600 | Page | |
| | Bar cross-section mm ² | | | 300 | | 900 | | |
| | Bar thickness mm | | | 5 | | 10 | | |
| | Max. rated current A to | DIN EN | | | 800 | | 1600 | |
| | | UL 508 | | | 700 | | 1400 | |
| | Length inches (mm) | For enclosure width inches (mm) | Approvals | | Model No. | | Model No. | |
| | 19 (495) | 24 (600) | UL | 3 pc(s). | 3524.000 | | 3527.000 | 219 |
| | 27 (695) | 32 (800) | UL | 3 pc(s). | 3525.000 | | 3528.000 | 219 |
| | 35 (895) | 39 (1000) | UL | 3 pc(s). | 3525.010 | | 3528.010 | 219 |
| | 43 (1095) | 47 (1200) | UL | 3 pc(s). | 3526.000 | | 3529.000 | 219 |
| 94 (2400) | various | UL | 1 pc(s). | 3509.000 | | 3516.000 | 219 | |

| Accessories | | | | | | | |
|--|---------------------------------|---|----------|-----------|--|-----------|------|
| Components | | Approvals | Packs of | Model No. | | Model No. | Page |
| PLS busbar connectors | Single connection | UL | 3 pc(s). | 3504.000 | | 3514.000 | 220 |
| | Baying connection ¹⁾ | UL | 3 pc(s). | 3505.000 | | 3515.000 | 220 |
| PLS Expansion connectors ²⁾ | |  | 3 pc(s). | 9320.060 | | 9320.070 | 220 |

¹⁾ Connection from enclosure to enclosure

²⁾ Two PLS busbar connectors (single connectors) are needed to fit one expansion connector